

MCCB Steel Sheet Enclosures



800A MCCB Distribution Box

Steel Sheet Enclosure
Suitable for TAB-4 3P & 4P MCCBs
(MCCB ratings that can be fitted into:
500A ~800A, 65kA)

General Characteristics

MCCB Rating(Frame size)	800A, TAB-4
Number of Poles	Three & Four
Cable Entry	Top & Bottom
Current Rating	500, 630 & 800A
Depth	155 mm
Height	900 mm
Width	550 mm
Incoming Terminal Capacity	240 Sq.mm x 2 # Copper cable Max.(with spreaders); 50x5 (2#) Busbars max.(with spreaders)
Mounting	Wall Mounted
Product Range	MCCB Distribution Box
Standards	IEC 61439
Switchgear Fitted	MCCBs can be factory fitted on request
Equipment Type	Fixed Stationary
Covers/Door	Removable door with 4 Knobs for locking
Enclosure	Enclosure box and doors are in 1.6 mm cold rolled steel sheet duly powder coated finish to HPL Light grey.
Frequency	50Hz
Rated Operating Voltage	230/415 Vac.
Protection Class IP Rating	IP3X
Operating Ambient Temperature	- 5°C ~ + 40°C
Terminal Tightening Torque (Max.)	89 Nm
Short Circuit Capacity	65 kA @ 415 Vac

NOTES: Tolerance on the dimensions ± 5%

MCCB Steel Sheet Enclosures



SS Enclosures for MCCBs:

Description	Item Code
SS Enclosures for TAB-1, 3P MCCBs	SETAB13P
SS Enclosures for TAB-2, 3P MCCBs	SETAB23P
SS Enclosures for TAB-1, 4P MCCBs	SETAB14P
Sheet Enclosures for MCCB TAB 2, 4P	SETAB24P
Sheet Enclosures for MCCB TAB 3, 3P	SETAB33P
Sheet Enclosures for MCCB TAB 3, 4P	SETAB34P
Sheet Enclosures for MCCB TAB 4, 3P	SETAB43P
Sheet Enclosures for MCCB TAB 4, 4P	SETAB44P
S.S.ENCLOSURE FOR TAB-2E,3P MPR MCCB	SETAB2E3P
S.S.ENCLOSURE FOR TAB-2E,4P MPR MCCB	SETAB2E4P



HPL Electric & Power Ltd

Corp. Office : Windsor Business Park, B-1D, Sector-10,
Noida, U.P. - 201301, INDIA.
Tel.: +91-120-4656300, Fax: +91-120-4656333
Registered Office : 1/20, Asaf Ali Road, New Delhi - 110 002, INDIA.
E-mail : hpl@hplindia.com; enquiry@hplindia.com

• Ahmedabad
• Bangalore
• Bhubaneswar
• Chandigarh
• Chennai
• Cochin
• Coimbatore
• Dehradun
• Guwahati
• Hubli
• Hyderabad

079-66168835
080-22863068
0674-6538229
0172-2639157
044-28551537
0484-2354595
0422-4393995
0135-2710567
0361-2450889
0836-4251463
040-40035959

• Indore
• Jaipur
• Kanpur
• Kolkata
• Lucknow
• Mumbai
• Nagpur
• Pune
• Raipur
• Ranchi
• Vadodara

0731-4280525
0141-4021035
0512-2316017
033-22252716
0522-4021687
022-61830814
0712-2222988
020-69200902/01
0771-6541590
0651-2206144
0265-2341747

• Vijayawada
• Vizag
• Agartala
• Agra
• Allahabad
• Anantapuram
• Aurangabad
• Amravati
• Akola
• Angul
• Bareilly

0866-6622291
• Balasore
• Belgaum
• Berhampur
• Bhopal
• Bilaspur
• Bhopal
• Bilaspur
• Bijapur
• Jamshedpur
• Jalandhar
• Jharsuguda
• Jodhpur

• Davangere
• Goa
• Gorakhpur
• Gulbarga
• Jabalpur
• Jabli
• Jammu
• Jamshedpur
• Jalandhar
• Jharsuguda
• Jodhpur

• Kanyakumari
• Kolhapur
• Kota
• Ludhiana
• Madurai
• Malda
• Mangalore
• Meerut
• Moradabad
• Mysore
• Nagercoil

• Nasik
• Patiala
• Patna
• Pondicherry
• Rajkot
• Rourkela
• Salem
• Siliguri
• Silchar
• Surat
• Sholapur

• Srinagar
• Sambalpur
• Tirupati
• Trichy
• Trivandrum
• Udaipur
• Vapi
• Varanasi
• Vellore

Customer Care No. :
18004190198

www.hplindia.com

Suitable for
Industrial, Domestic &
Commercial installations

Features:

- Suitable for TAB range of MCCBs.
- Enclosure size is same for 3P & 4P.
- Optimum space for cable termination.
- In-built "Neutral Link" provided in 3P enclosures.
- IP 30 protection.
- Easy installation.
- Wall mounting type.
- Detachable gland plates.
- RoHS compliant.



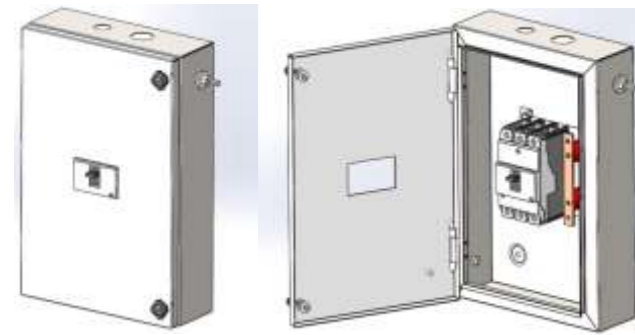
MCCB Steel Sheet Enclosures



**Reliable & Safe
Yet simple**

- A tested solution for every need

MCCB Steel Sheet Enclosures



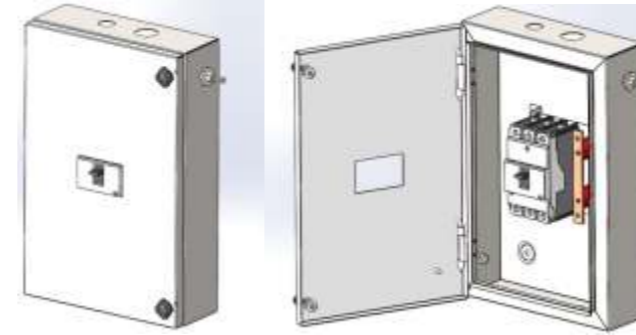
160A MCCB Distribution Box

Steel Sheet Enclosure
Suitable for TAB-1 3P & 4P MCCBs
(MCCB ratings that can be fitted into:
16A ~160A, 36kA)

General Characteristics	
MCCB Rating(Frame size)	160A, TAB-1
Number of Poles	Three & Four
Cable Entry	Top & Bottom
Current Rating	16, 20, 25, 32, 40, 50, 63, 80, 100, 125 & 160A
Depth	104 mm
Height	400 mm
Width	270 mm
Incoming Terminal Capacity	70 Sq.mm Copper cable Max.(with spreaders)
Mounting	Wall Mounted
Product Range	MCCB Distribution Box
Standards	IEC 61439
Switchgear Fitted	MCCBs can be factory fitted on request
Equipment Type	Fixed Stationary
Covers/Door	Side hinged door & 2 Knobs for locking
Enclosure	Enclosure box and doors are in 1.2 mm cold rolled steel sheet duly powder coated finish to HPL Light grey.
Frequency	50Hz
Rated Operating Voltage	230/415 Vac.
Protection Class IP Rating	IP3X
Operating Ambient Temperature	- 5°C ~ + 40°C
Terminal Tightening Torque (Max.)	10 Nm
Short Circuit Capacity	36 kA @ 415 Vac

NOTES: Tolerance on the dimensions ± 5%

MCCB Steel Sheet Enclosures



250A MCCB Distribution Box

Steel Sheet Enclosure
Suitable for TAB-2 3P & 4P MCCBs
(MCCB ratings that can be fitted into:
63A ~ 250A, 50 kA)

General Characteristics	
MCCB Rating(Frame size)	250A, TAB-2
Number of Poles	Three & Four
Cable Entry	Top & Bottom
Current Rating	63, 80, 100, 125, 160, 200 & 250A
Depth	104 mm
Height	400 mm
Width	270 mm
Incoming Terminal Capacity	120 Sq.mm Copper cable Max.(with spreaders)
Mounting	Wall Mounted
Product Range	MCCB Distribution Box
Standards	IEC 61439
Switchgear Fitted	MCCBs can be factory fitted on request
Equipment Type	Fixed Stationary
Covers/Door	Side hinged door & 2 Knobs for locking
Enclosure	Enclosure box and doors are in 1.2 mm cold rolled steel sheet duly powder coated finish to HPL Light grey.
Frequency	50Hz
Rated Operating Voltage	230/415 Vac.
Protection Class IP Rating	IP3X
Operating Ambient Temperature	- 5°C ~ + 40°C
Terminal Tightening Torque (Max.)	26 Nm
Short Circuit Capacity	50 kA @ 415 Vac

NOTES: Tolerance on the dimensions ± 5%

MCCB Steel Sheet Enclosures



500A MCCB Distribution Box

Steel Sheet Enclosure
Suitable for TAB-3 3P & 4P MCCBs
(MCCB ratings that can be fitted into:
250A ~500A, 65kA)

General Characteristics	
MCCB Rating(Frame size)	500A, TAB-3
Number of Poles	Three & Four
Cable Entry	Top & Bottom
Current Rating	250, 300, 315, 400, 500A
Depth	145 mm
Height	900 mm
Width	500 mm
Incoming Terminal Capacity	150 Sq.mm x 2 # Copper cable Max.(with spreaders)
Mounting	Wall Mounted
Product Range	MCCB Distribution Box
Standards	IEC 61439
Switchgear Fitted	MCCBs can be factory fitted on request
Equipment Type	Fixed Stationary
Covers/Door	Removable door with 4 Knobs for locking
Enclosure	Enclosure box and doors are in 1.6 mm cold rolled steel sheet duly powder coated finish to HPL Light grey.
Frequency	50Hz
Rated Operating Voltage	230/415 Vac.
Protection Class IP Rating	IP3X
Operating Ambient Temperature	- 5°C ~ + 40°C
Terminal Tightening Torque (Max.)	51 Nm
Short Circuit Capacity	65 kA @ 415 Vac

NOTES: Tolerance on the dimensions ± 5%