

Technology of Measurement...

defined

ABT Meter (Availability Based Tariff)

CTPT1.24 & CTPT5.24 Series

Specifically design for grid substations (GSS) & bulk power transfer points

System-Ready Meter with Advanced Features

- Up to 12 channels of load profile data
- Up to 12 channels of block profile data
- Optical Communication port & RS232/RS485 Port
- Optical port as per IEC standard physical configuration
- Optional Modbus support
- DLMS / COSEM open protocol support
- Up to 8 tariffs per day



Highlights

- As per IS-14697 & IEC 62053 accuracy Class 0.2S
- Four-quadrant metering for export & import
- Extendable memory option upto 1 mb
- Windows-based software

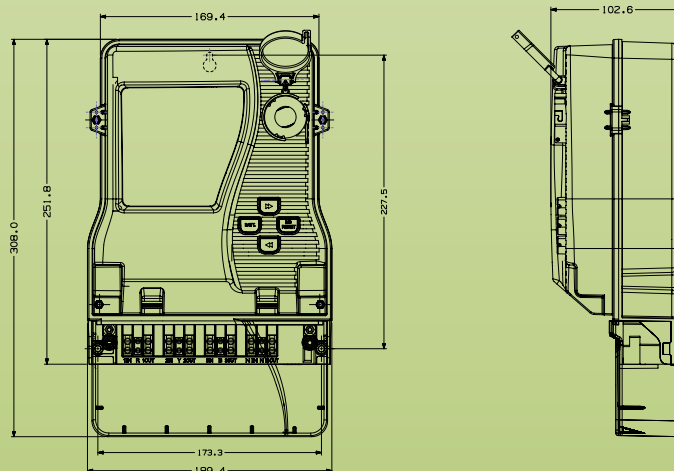


CTPT1.24 & CTPT5.24 Series of ABT meters are highly accurate, robust meter suitable for advanced commercial, industrial, and substation metering applications, including EnergyAxis® metering points.

Revenue protection

- Meter Cover open detection
- Site service diagnostics
- Installation and system instrumentation tools that provide instantaneous volts, current, power factor, phase angles, and more
- History log that records all changes to meter program and meter data
- Multiple level password scheme
- Phase voltage outage recording
- Cumulative demand calculation
- Write protection feature that disables field reprogramming
- Energy for KWH , KVARH, KVAH and Demand for KWH, KVAH
- No auxiliary power supply required.

Accuracy	Active energy 0.2 % (IS14697 / IEC 62053-22)	Reactive energy 0.2% (IS14697 / IEC 62053-23)
Maximum current	200% of basic current	
Current rating	-1A, -/5A	
Starting current	0.1% of Ib UPF	
Voltage range	-40% to +20% of reference V	
Frequency	50Hz ± 5%	
Temperature range	-30°C to +85°C (inside meter cover); -30°C to +60°C (outside)	
Humidity range	0 % to 100 % noncondensing	
Power supply burden	Less than 1 W	
Surge voltage withstand	Test performed	Results
	Fast transient (IEC 61000-4-4)	4 kV
	Impulse voltage test (IEC 60060-1)	10 kV @ 1.2/50 μs, ≥450 Ω (8 kV with option boards)
	AC voltage (insulation) test	4 kVrms for 1 minute
Creep 0.000 A (no current)	No more than 1 pulse per quantity, conforming to IEC 62053 requirements	
Internal clock accuracy	Better than 0.5 seconds per day (while powered)	
Communications		
Optical port	9600 bps	
Optical port protocol	DLMS as per IS15884 apart from optical port optional RS232 / RS485 also available	



HEPL/ABTMETER/02-23



HPL Electric & Power Ltd

Corp. Office: Windsor Business Park, B-1D,
Sector-10, Noida, U.P. - 201301, INDIA.

Tel.: +91-120-4656300, Fax: +91-120-4656333

Registered Office: 1/20, Asaf Ali Road, New Delhi - 110 002, INDIA.

E-mail: hpl@hplindia.com

Customer Care No. :
18004190198

www.hplindia.com